

TECHNICAL DATA SHEETEffective date: 02.2020
Rev.0**Elsa jar with lid, 50 ml**

PRODUCT SPECIFICATION

Product: Standard Cream Jar with double walls
Capacity: 50 ml (volume)/ 50ccm
Total Weight: 31,50 gr.
Surface: Mat Wall-Frosted
Compound: Cap; Opercul; Interior-Jar; Exterior-Jar
Polymeric Compound: Polystyrol; Polypropylen
Masterbatch: yes

Processing:

Plastic Packaging processed from 100% pure polymeric compound, mixed with masterbatch in injection moulding technology, in closed system, beginning from the filling injection machine with raw material until the final technological processes are controlled by computer. The processing raw material temperature is between 1700 C up to 2400 C, in some cases the processing temperature can be higher. The injection moulds are equipped with hot runner systems suitable for this applications, with all types of thermoplastics recommended for the packages used in cosmetic and pharmaceutical industry

Properties:

The plastic raw materials and masterbatches are supplied by the most important producers from Europe, free from heavy metals, completely certified & guaranteed for use with food and cosmetic or pharmaceutical products. The Cream-Jar is produced conform with the European Community Standards and Directives regarding package integrity. This type of Cream-Jar is suitable for cosmetic, pharmaceutical and related products, produced to fit a highly sanitary conditions, eliminating the possibility of contamination and deterioration of the cream. The body of Cream-Jar have double walls and assure a very good prevention against moisture, UV-light, oxygen, heat and disintegration of the product. Standards of identity and quality of our Cream-Jar is given also by the Cap and Lid, who was especially created to meet the requirements regarding the tightness.

Applications:

By the technics conceptions and the operating process (machines and equipments for plastic process) the final product – Plastic Package – is purposed for the cosmetics and pharmaceuticals market, like: Creams; Pastes; Gels; Ointments and so on.

Remarks:

The cosmetic or/ and pharmaceutical producer (the packaging users) had promissory note, UNVOIDABLE conforming the CEE and ISO Norms, that before his operating process, to sterilize the Jars; Bottles and all Cosmetic Containers.

TECHNICAL DATA SHEET

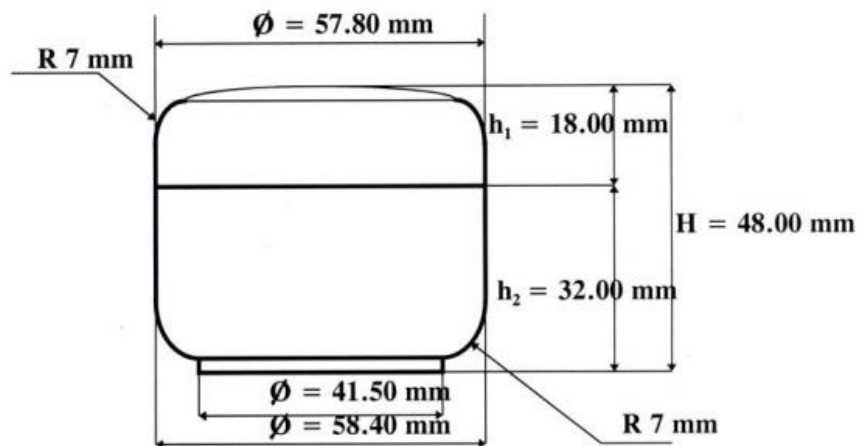
Effective date: 02.2020
Rev.0

Elsa jar with lid, 50 ml

Total Height:	48.00 mm
Diameter:	∅ 58.40 mm
Total weight:	31.50 gr
Opercul weight:	2.00 gr
Cap weight:	8.70 gr
Interior Jar weight:	9.80 gr
Exterior Jar weight:	11.00 gr
Volume capacity:	50 ccm/ 50 ml
Raw materials:	Polystyrol (GPPS, HIPS) Polypropylene (HOMOPOLIMER, COPOLIMER, RANDOM COPOLIMER)
Masterbatches:	(with PS or PP base polymeric compound)

TECHNICAL DRAWINGS

Volume: 50ml
Composed: Cap; Lid; Int. Jar; Ext. Jar
Raw Material: Polystyrol; Polypropylen



Ultimately customers must make their own determination that their use of our product is safe, lawful (except as provided in the above certifications) and technically suitable in their intended applications.