

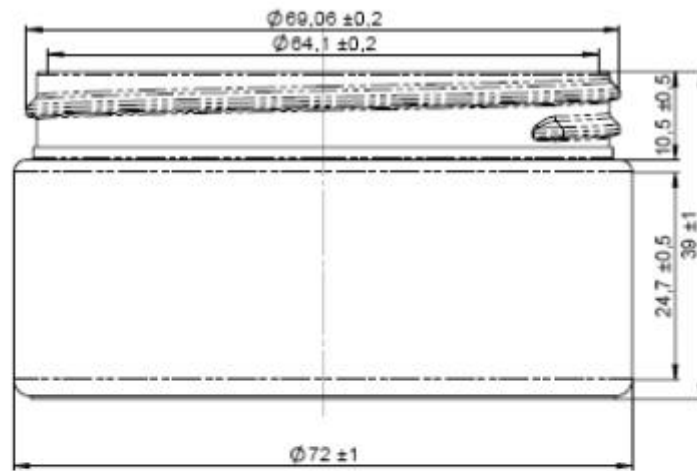
TECHNICAL DATA SHEET

Effective date: 02.2020
Rev.0

PET jar 100 ml

TECHNICAL DRAWINGS

Jar, material PET, 15,00 +/- 1,0 g, Total capacity 136,00 +/- 4,0 ml, Height (mm) 39,00 +/- 1,0, Base diameter (mm) 72,00 +/- 1,0, Distance to nut (mm) 10,50 +/- 0,5, Outer thread diameter with coil (mm) 69,06 +/- 0,2,

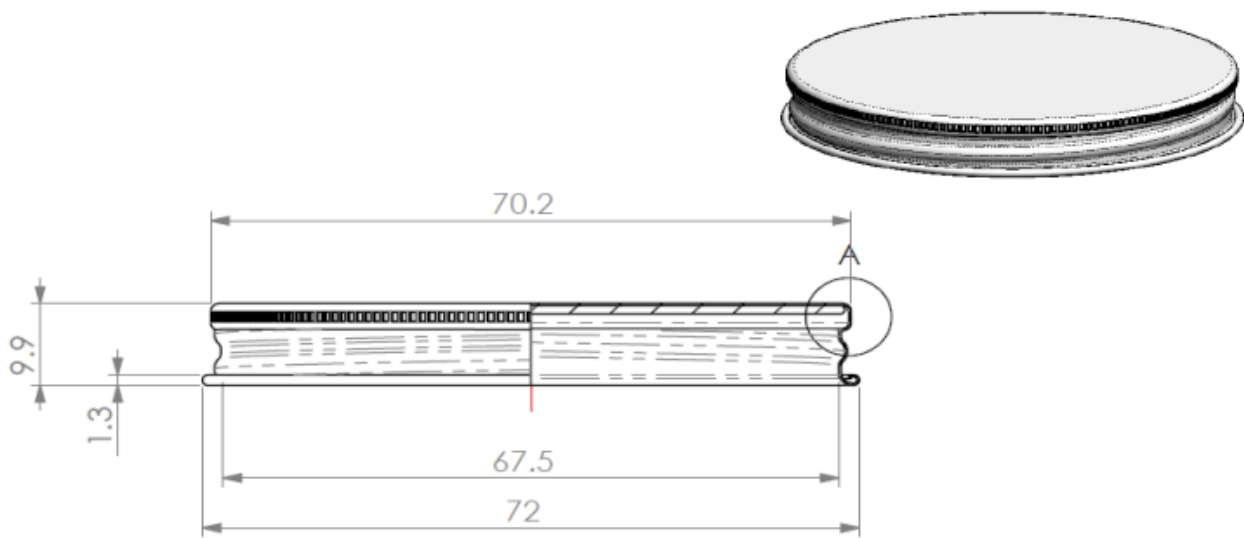


TECHNICAL DATA SHEET

Effective date: 02.2020
Rev.0

PET jar 100 ml

Closure for PET jars, aluminum, Density 2.7 - 2.76 g / cm³, Thickness 0.26 mm, Thickness 1.0 mm, Outer diameter [mm] 72.0 +/- 0.2, Height [mm] 9.9 +/- 0.2, Weight [g] 4.6 +/- 0.5



Ultimately customers must make their own determination that their use of our product is safe, lawful (except as provided in the above certifications) and technically suitable in their intended applications.