

TECHNICAL DATA SHEETEffective date: 01.2020
Rev.0**Foamer bottle, 150 ml**

CONFORMITY DECLARATION

We do hereby certify that the quality of the above mentioned items delivered to you is conform to our Sales Specifications in force at the present date.

Is a customer's responsibility to check the chemical compatibility as well as the seal with the specific products.

Furthermore we do declare that the packaging for the cosmetic and pharmaceutical field supplied by us is fully conform to what foreseen by the current law.

- Plastic

- D.M: of 21/03/73 published on the G.U. 104 del 20/04/1973 with D.M. 220 of 26/04/1993 and subsequent updates (for material intended to come in contact with food and drugs);

- 94/62/CEE Directive, granted by D.L. N° 22 of 05/02/97 Art. 43 C 4 on the content of heavy metals.;

- 2023/2006/CE Directive, 1935/2004/CE Regulation and 10/2011 UE Regulation (Materials and objects intended to get in contact with food);

- 1907/2006 CE Regulation (Reach-SVHC);

- 282/2008/UE Regulation (Material recycling);

- 2007/19/CE Directive (Fhthalates);

- Bisphenol-A and Nitrite Substances: we state that this materials are not used during the production or intentionally incorporated;

- Recycling: the material is recyclable. The mainly operation is the mechanical material's recall. Most of the packaging components are divisible to allow the separate collection.

- Pharmaceutical glass and Rubber

- Same references as for "Plastic", excluding 282/2008/UE Regulation;

- European Pharmacopea currently in force;

- American Farmacopea USP currently in force.

- Cosmetic glass

- Same references as for "Plastic", excluding 282/2008/UE Regulation;

- Containers for its chemical composition and characteristics are conform to what foreseen for objects in glass of Category A (Encl. 2° Sect. 5 D.M. dd 21 March 1973) and from Art. 2 paragraph 1, a) b) c) from D.L. N° 108/92 and are suitable for food packaging.

TECHNICAL DATA SHEET

Effective date: 01.2020
Rev.0

Foamer bottle, 150 ml

General information:

Bottle code : 43 C1
 Neck dimensions : 43mm (T-dimension)
 Shape : Cylindrical
 Material : HDPE, Lupolen 5021DX
 Manufacturer raw material : BASELL
 Production technology : EBM
 Number of cavities : 8
 Capacity : 100ml to 250ml

* Bottle to be used with Rexam Airspray 43mm products only.



Drawing information:

Quality drawing code : G-43-48-E-S-Q

Storage information:

Maximum temperature for use : 40 °C
 Minimum temperature for use : 10 °C

Technical information:

Capacity (ml)	Total height	Weight (gr)	Brimful (ml)	Label area (mm)
	± 1.0 mm	± 1.5 gr	± 3%	Width x Length
100	104.7	16.0	160	150.8 x 67.9
125	120.2	18.0	185	150.8 x 83.4
150	1335.7	20.0	213	150.8 x 98.9
175	151.2	22.0	240	150.8 x 114.4
200	166.7	24.0	265	150.8 x 129.9
250	197.7	28.0	315	150.8 x 160.9

TECHNICAL DATA SHEET

Effective date: 01.2020
Rev.0

Foamer bottle, 150 ml

Food approval information F2 – Pump Foamer: Issue 3, 01-08-2005

RE: Code of Federal Regulations chapter 21 (Food and drugs) (USA)

- a) *All plastics plastic (raw materials) which are used to manufacture the plastic components do comply to at least one FDA number (under chapter 21).
A list of all present parts is available and can be issued after Airspray has received signed secrecy agreement from customer.*
- b) *Additives such as chrystallisation agents, slip agents and others do either comply to at least one FDA number (under chapter 21), OR carry a declaration for being food approved by the manufacturer.*
- c) *Stainless steel springs made of AISI 302 or 316 only carry a food approved statement on being food approved from the specific ball manufacturer without referring to any official regulatory body.*
- d) *Stainless steel balls made of AISI 304 or 316 only carry a food approved statement on being food approved from the specific ball manufacturer without referring to any official regulatory body.*

Excluded are:

- e) *Colourants, masterbatches, ect. are not considered in this document and are to be approved on a case to case basis.*
- f) *Bottles are not considered in this document and are to be approved on a case to case basis.*
- g) *Alternative spring materials other than AISI 302 or 316.*
- h) *Alternative ball materials other than AISI 304 or 316.*

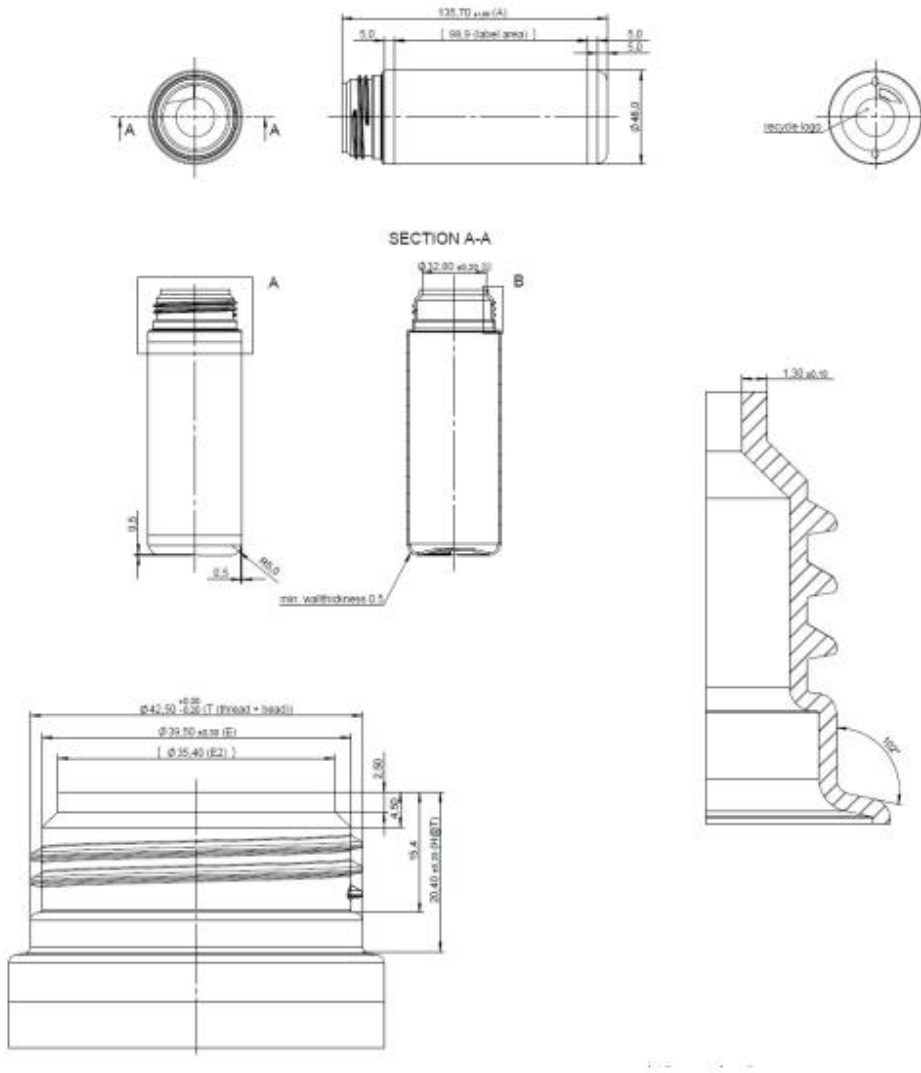
TECHNICAL DATA SHEET

Effective date: 01.2020
Rev.0

Foamer bottle, 150 ml

TECHNICAL DRAWINGS

150 ml natural colored, round foaming bottle



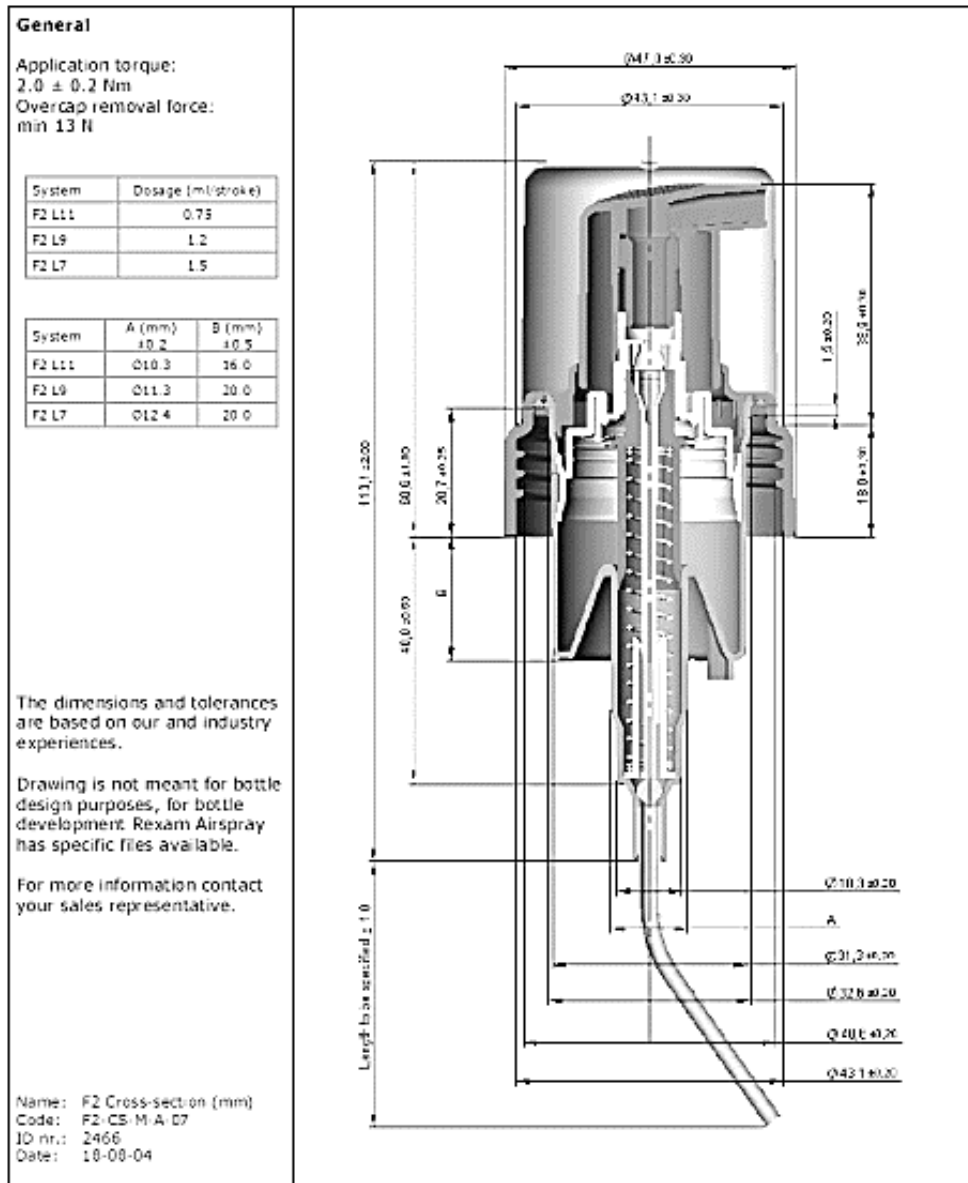
Material	HDPE
Thread	43 mm
Nominal Volume	60 ± 2 ml
Weight	20 g

TECHNICAL DATA SHEET

Effective date: 01.2020
Rev.0

Foamer bottle, 150 ml

43 mm natural colored foamer (polypropylene), assembled, cut riser pipe 64 mm, suitable for 150 ml foamer bottles
Weight pump approx. 25 g, matte, frosted mounted Plug cap (polypropylene), weight plug cap approx. 5 g



Ultimately customers must make their own determination that their use of our product is safe, lawful (except as provided in the above certifications) and technically suitable in their intended applications.